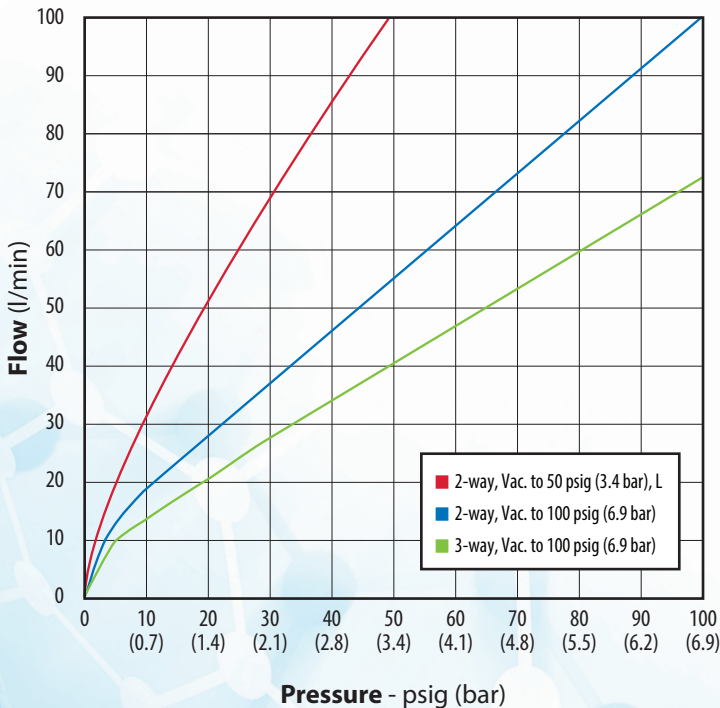


DV SERIES ELECTRONIC VALVES



Clippard electronic valves are precision-built control valves utilizing Clippard's patented valving principle. The powerful DV Series was designed as the next generation of the well-known and trusted original EV line of Clippard spider valves. With a cycle life of over a billion, a solid, compact design, and extremely high flow rates, these valves are suitable for many applications across numerous diverse industries. A variety of voltage, connector and mounting options are available.

TYPICAL FLOW



Coil Resistance	76 (12V), 304 (24V)
Connection	Spade terminals or wire leads
Cycle Life	750 million
Filtration (recommended)	40 micron
Function	2-way or 3-way normally-closed or normally-open; 3-way universally ported
Material, Body	Stainless steel
Material, Seals	Nitrile standard; FKM, EPDM and silicone available
Material, Spring	Stainless steel
Material, Wetted	Polyetherimide, stainless steel, PPS
Max. Flow	100 l/min @ 50 or 100 psig (3.4 or 7 bar), 70 l/min @ 100 psig (7 bar)
Max. psig	100 (6.9 bar)
Medium	Compatible fluids and gases
Mount	In-line, manifold, or cartridge (<i>inserts into 3/4" bore</i>)
Number of Ports	2 or 3
Operating Pressure	28" (71 cm) Hg vac. to 50 or 100 psig (3.4 or 7 bar)
Operating Temp. Range	32 to 130°F (0 to 54°C)
Orifice	0.044", 0.052", 0.070" (1.1, 1.3, 1.8 mm)
Port, Exhaust	3-Way: #10-32 or M5
Port, Inlet	Manifold: #10-32 male or M5 Inline: 1/8" NPT or BSPT female
Port, Outlet	Manifold: No thread Inline: 1/8" NPT or BSPT female
Response Time	10 to 20 ms
Voltage	12 or 24 VDC
Voltage Operating Range	95 to 125% of rated power
Wattage	1.9 watts
More Details	clippard.com/link/dv-series

¹Minimum order quantity required

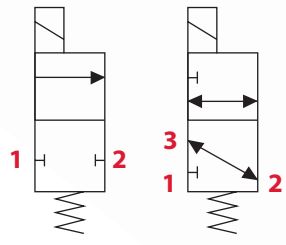
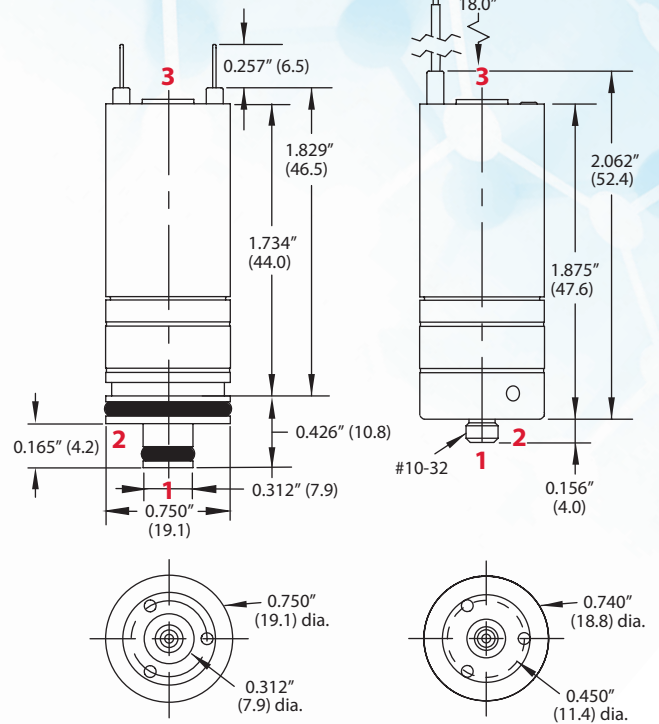
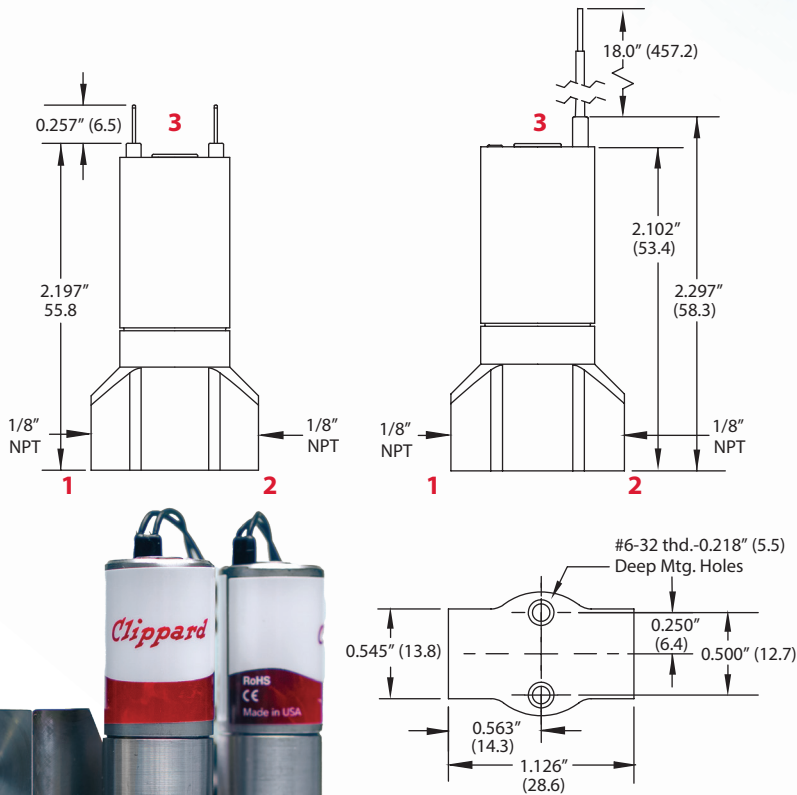
Does your application have requirements beyond what is listed? Contact Clippard to discuss how this valve can be modified to meet your specific needs.

**Spade Terminals
In-Line Manifold**

**Wire Leads
In-Line Manifold**

**Spade Terminals
Cartridge Style**

**Wire Leads
Manifold Mount**



Dimensions shown are in inches. Visit clippard.com for more detailed 2D and 3D drawings.

- Large flows in small, sleek package
- Low heat rise, low power
- Robust stainless steel "spider" armature spring

ORDERING INFORMATION

<p>Units</p> <p>(blank) Imperial M- Metric</p>	<p>Connection</p> <p>T Spade Terminals V Wire Leads</p>	<p>Function</p> <p>2 2-way 3 3-way</p>	<p>Mount</p> <p>(blank) In-Line M Manifold C Cartridge</p>	<p>Voltage</p> <p>12 12 VDC 24 24 VDC</p>	<p>Pressure</p> <p>(blank) Vac. to 100 psig (7 bar) -L Vac. to 50 psig (3.4 bar), 2-way only</p>	<p>Seals</p> <p>(blank) Nitrile -V FKM -E EPDM</p>
---	--	---	---	--	---	---

Example Part Number:
DT-2-12

For more info, scan the QR code or visit clippard.com/link/dv-series

